



AlfaBlue BCM/BCD & BNM/BND

Air-cooled condensers

General information & application

The AlfaBlue series is a wide range of heavy-duty air cooled condensers for air conditioning and refrigeration applications. AlfaBlue condensers are available for both horizontal and vertical air direction, either in single (M) or dual (D) coil execution.

Refrigerants	all halocarbon (BC) or ammonia (BN)
Capacities H(C)FC*	15 up to 862 kW
Capacities ammonia*	20 up to 1200 kW

* Nominal capacities ($T_{air} = 25^{\circ}\text{C}$, $T_{cond} = 40^{\circ}\text{C}$, $T_{subcool} < 3\text{K}$, $T_{superheating} = 25\text{K}$).

Coil

An innovative coil design provides excellent heat transfer at minimal refrigerant charge. Depending on the application, condensers are fitted with cross-fin copper or smooth stainless steel tubing. Available with two Alu-fin types:

Turbo fins	maximized capacity
Industrial power fins	long lasting performance

Available in different fin thicknesses and fin spacings. Separate connections in the D series provide the opportunity for independent operation of both condenser coils.

Casing

Frame construction provides high rigidity for protection against vibration and thermal expansion. Casing and framework of corrosion resistant pre-galvanized sheet steel (corrosion resistance class C4), epoxy coated white RAL 9002 on both sides. Separated fan sections.

Fan motors

Available in four fan diameters (630, 800, 910 & 1000 mm) and five noise levels, power supply 400/50/3. Motors with external rotor, protection class IP 54 according to DIN 40050. Integrated thermo contacts provide reliable protection against thermal overload. EC fan motors available.

Options

- Multi-circuiting
- Sub-cooling circuit
- Coil corrosion protection
 - Coil coating
 - Fins seawater resistant aluminium alloy 57S/5052
- Spray water device (version D only)
- Vibration dampers



AlfaBlue condensers

- Special fan motors
 - EC fan motors
 - 480/3/60 (IP54)
 - Protection class IP55
 - High-temperature motors
 - Explosion proof motors
- Electrical options
 - Isolating switch
 - Motors wired to a common terminal box
 - Switchboard (IP55)
 - EMC approved components
 - Fan step control
 - Fan speed control
 - Frequency control

Certifications

BCM/BCD Models are “Eurovent Certify All” certified. The Alfa Laval quality system is in accordance with ISO 9001. All products are manufactured according to CE and PED rules.

Test

Each heat exchanger undergoes a pressure and leak test with dry air at 34 barg. It is then supplied with a nitrogen pre-charge.

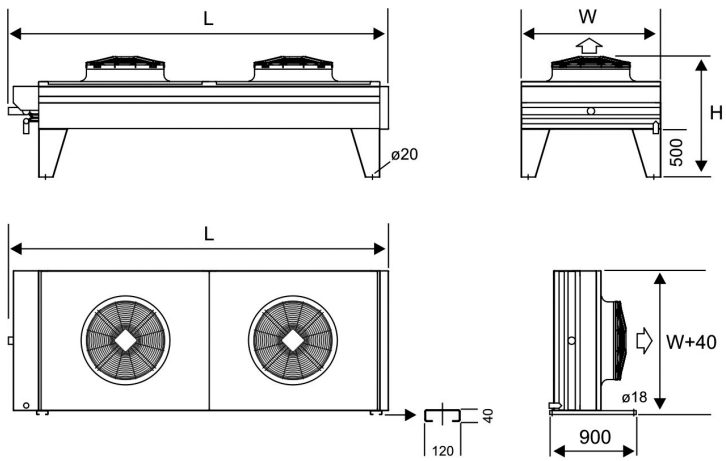
Selection

Please use our AlfaSelect Air selection software for condenser selection and RCPL pricing.

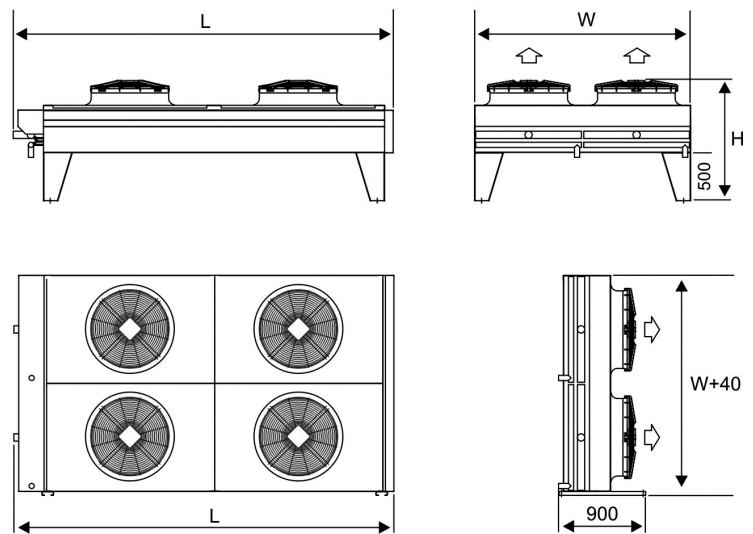


Dimensions mm			
type	L	W	H
B*M 631	1545	1214	1221
B*M 632	2635	1214	1221
B*M 633	3725	1214	1221
B*M 634	4815	1214	1221
B*ML 631	1855	1214	1221
B*ML 632	3255	1214	1221
B*ML 633	4655	1214	1221
B*M 801	2205	1454	1252
B*M 802	3955	1454	1252
B*M 803	5705	1454	1252
B*M 804	7455	1454	1252
B*M 805	9205	1454	1252
B*M 901	2555	1454	1289
B*M 902	4655	1454	1289
B*M 903	6755	1454	1289
B*M 904	8855	1454	1289
B*M 1001	2555	1454	1295
B*M 1002	4655	1454	1295
B*M 1003	6755	1454	1295
B*M 1004	8855	1454	1295
B*D 802	3955	2249	1252
B*D 803	5705	2249	1252
B*D 804	7455	2249	1252
B*D 805	9205	2249	1252
B*D 806	10955	2249	1252
B*D 902	4655	2249	1289
B*D 903	6755	2249	1289
B*D 904	8855	2249	1289
B*D 905	10955	2249	1289
B*D 1002	4655	2249	1278
B*D 1003	6755	2249	1278
B*D 1004	8855	2249	1278
B*D 1005	10955	2249	1278

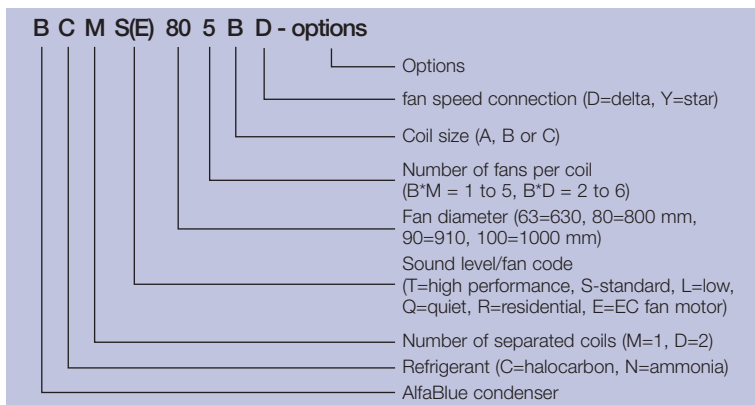
Dimensions B*M



Dimensions B*D



Code description



Benefits

- Heavy duty design with high corrosion resistance
- Reduced refrigerant charge
- Available with easily cleanable industrial power fins
- Excellent sound characteristics, suitable for residential applications
- Reliable performance, Eurovent certified
- Easy installation & maintenance.
- Energy efficient - low total cost of ownership.
- Two-year product guarantee.

ERC00031EN 1007

All rights reserved for changes in specifications

How to contact Alfa Laval

Up-to-date Alfa Laval contact details for all countries are always available on our website at www.alfalaval.com

